

SAMPLING ASSEMBLIES

When a single drop of fluid can make the difference in someone's health, you need smart fluid handling solutions that get the job done safely. Manufacturers worldwide rely on connector products that improve yield, cut costs and reduce time to market.

DESCRIPTION:

FlowLinX[®] sampling assemblies are ideal for aseptic fluid sampling applications used in cell culture, fermentation, chromatography, sterile bulk and transfer. The closed system design allows for easy implementation to monitor critical process parameters. Made from USP <88> Class VI materials, the sampling assemblies are available in individual or multi-sampling units with aseptic connectors, 1mm or 2mm sampling needles. Choose from standard configurations or customize to your application requirements.

SPECIFICATIONS

- Manufactured in an ISO 7 cleanroom

-  ISO 9001:2015 certified facility

-  Fluid path components meet USP <88> Class VI

-  Animal component free

-  Available with polypropylene tubes, polystyrene tubes or ULDPE bags

-  Available with PETG or PET bottles

-  Aseptically disconnect using pinch pipe or TPE tube sealer

-  Each assembly is double bagged and ready to use

-  Available with sterility assurance level 10⁻⁶ to ISO 11137



SAMPLING NEEDLE ASSEMBLIES

PART NUMBER	SAMPLING VOLUME (ML)	NEEDLE SIZE (MM)	QUANTITY/ PACK	FIGURE
F-SNA-1.0-50ML	50mL	1	5	1
F-SNA-1.0-100ML	100mL	1	5	1
F-SNA-1.0-250ML	250mL	1	5	1
F-SNA-1.0-1000ML	1000mL	1	5	1
F-SNM-1.0-50ML	5 x 50mL	1	5	2
F-SNM-1.0-100ML	5 x 100mL	1	5	2
F-SNM-1.0-250ML	5 x 250mL	1	5	2
F-SNA-2.0-50ML	50mL	2	5	1
F-SNA-2.0-100ML	100mL	2	5	1
F-SNA-2.0-250ML	250mL	2	5	1
F-SNA-2.0-1000ML	1000mL	2	5	1
F-SNM-2.0-50ML	5 x 50mL	2	5	2
F-SNM-2.0-100ML	5 x 100mL	2	5	2
F-SNM-2.0-250ML	5 x 250mL	2	5	2

PART NUMBER	DESCRIPTION	NEEDLE SIZE (MM)	QUANTITY/ PACK
F-SN-1.0	FlowLinX Sampling Needle	1.0	5
F-SN-2.0	FlowLinX Sampling Needle	2.0	5
F-SNB-1.0	FlowLinX Port Plug	1.0	5
F-SNB-2.0	FlowLinX Port Plug	2.0	5

PART NUMBER	DESCRIPTION	NO. OF PORTS
F-SNH-1.0	FlowLinX 50mm Sampling Port Holder, for 1.0mm Needle	5
F-SNH-2.0	FlowLinX 50mm Sampling Port Holder, for 2.0mm Needle	5



5-PORT SAMPLING NEEDLE HOLDER
1MM AND 2MM SAMPLING NEEDLES



SAMPLING NEEDLE ASSEMBLY

SAMPLING NEEDLE ASSEMBLIES

Figure 1

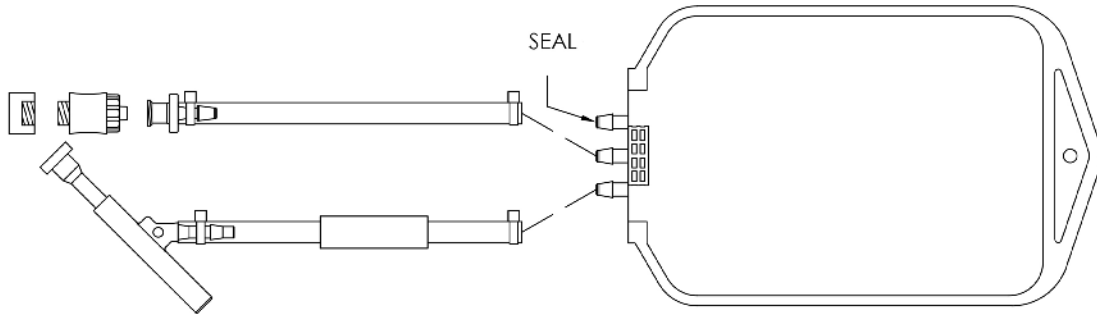
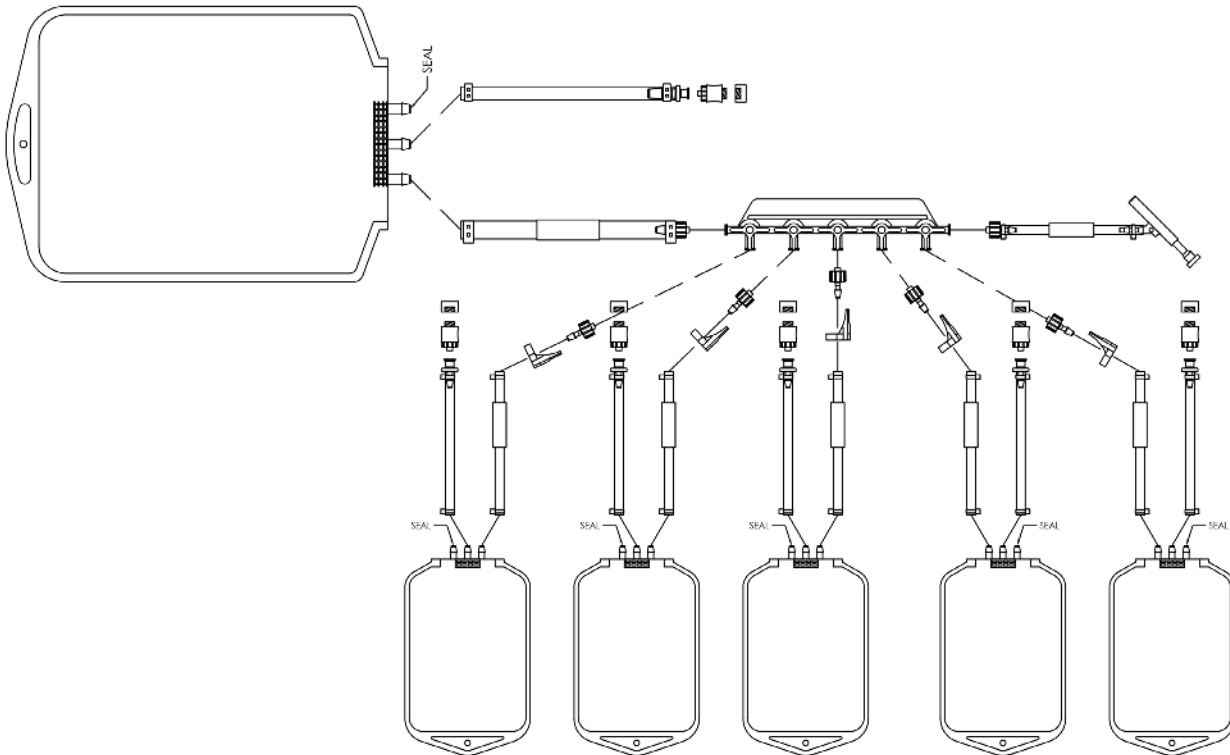
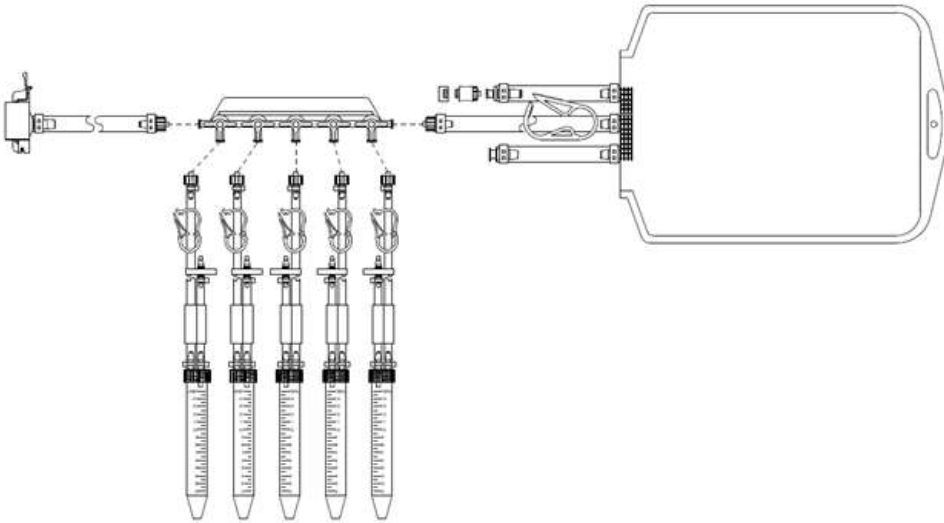


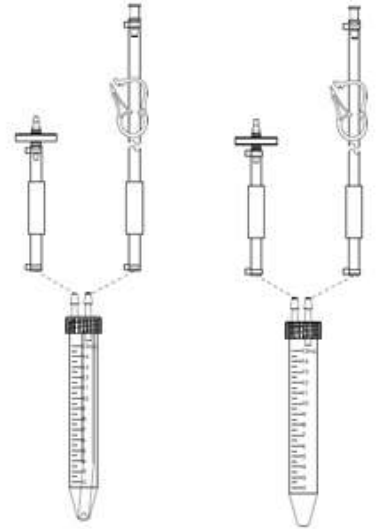
Figure 2



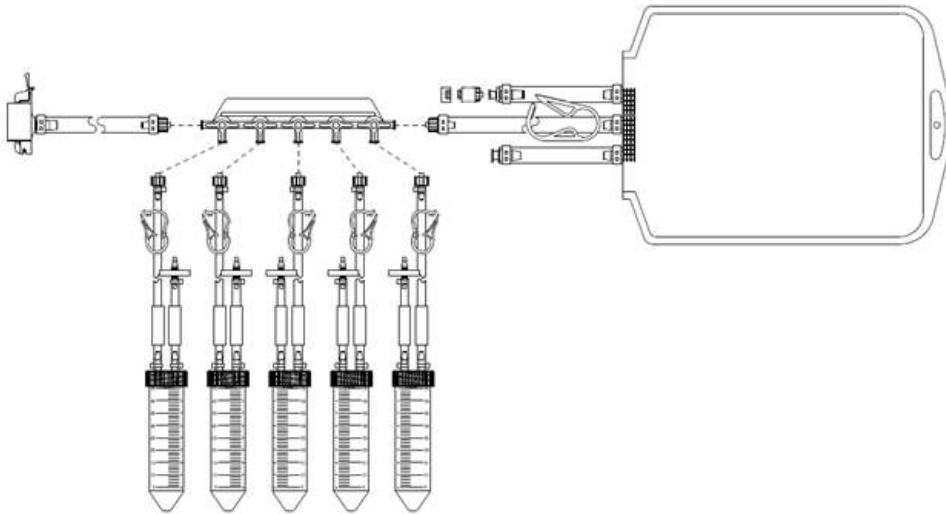
CONICAL TUBE SAMPLING ASSEMBLIES



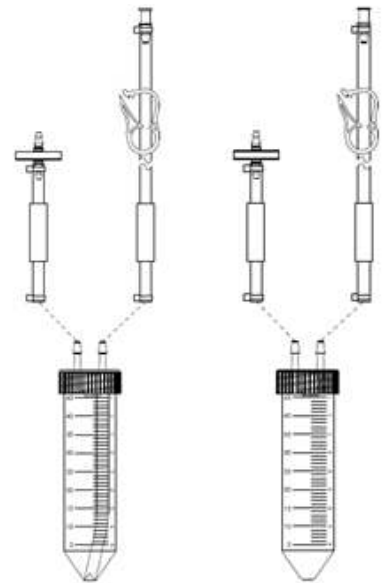
15mL Sampling Manifold



15mL Conical Tube

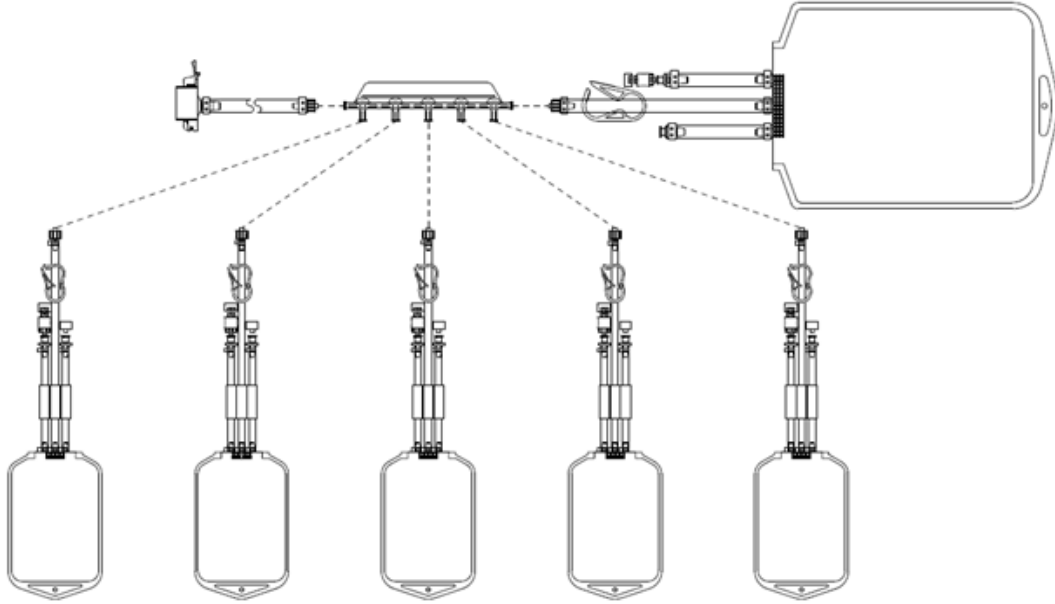


50mL Sampling Manifold



50mL Conical Tube

CONICAL TUBE SAMPLING ASSEMBLIES



Bag Manifold (5 x 50mL, 5 x 100mL, 5 x 250mL, 5 x 500mL)

PART NUMBER	SAMPLE VOLUME	CONTAINER MATERIAL	CONTAINER TYPE	DIP TUBE	STERILITY CLAIM	QTY/PACK
F-CTA-PP-15D	15mL	Polypropylene	Tube	Yes	Non-Sterile	5
F-CTA-PP-15	15mL	Polypropylene	Tube	No	Non-Sterile	5
F-CTA-PS-15D	15mL	Polystyrene	Tube	Yes	Non-Sterile	5
F-CTA-PS-15	15mL	Polystyrene	Tube	No	Non-Sterile	5
F-CTA-PP-15D-S	15mL	Polypropylene	Tube	Yes	Sterile	5
F-CTA-PP-15-S	15mL	Polypropylene	Tube	No	Sterile	5
F-CTA-PS-15D-S	15mL	Polystyrene	Tube	Yes	Sterile	5
F-CTA-PS-15-S	15mL	Polystyrene	Tube	No	Sterile	5
F-CTA-PP-50D	50mL	Polypropylene	Tube	Yes	Non-Sterile	5
F-CTA-PP-50	50mL	Polypropylene	Tube	No	Non-Sterile	5
F-CTA-PP-50D-S	50mL	Polypropylene	Tube	Yes	Sterile	5
F-CTA-PP-50-S	50mL	Polypropylene	Tube	No	Sterile	5
F-CTM-PS-15-S	5 x 15mL	Polystyrene	Tube	No	Sterile	1
F-CTM-PP-15-S	5 x 15mL	Polypropylene	Tube	No	Sterile	1
F-CTM-PP-50-S	5 x 50mL	Polypropylene	Tube	No	Sterile	1
F-BSM-50ML-S	5 x 50mL	ULDPE	Bag	No	Sterile	1
F-BSM-100ML-S	5 x 100mL	ULDPE	Bag	No	Sterile	1
F-BSM-250ML-S	5 x 250mL	ULDPE	Bag	No	Sterile	1
F-BSM-500ML-S	5 x 500mL	ULDPE	Bag	No	Sterile	1