

Bioprocess Powder Bags

Robust, anti-static, single-use powder containment and transfer solution

Our bioprocess powderbags are an ergonomic, robust, closed solution for convenient filling, handling, storing, and transferring of powders used in media, buffer solutions, and active pharmaceutical ingredients (APIs).

Constructed from anti-static, monolayer, polyethylene-based film, these powder containment bags enable full product recovery without requiring a liquid rinse.

Our powder bags can be used in conjunction with a standard mating sanitary flange system or as a stand-alone unit. Sizes include 5 L, 10 L, 15 L, 25 L, and 50 L capacities, all with 4" sanitary flange dispense ports. An optional 4" x 3" reducer accessory is also available.

APPLICATIONS

- Bioprocessing
- Powdered cell culture media and buffer salts, and excipients
- Carbon nanofibers
- Tablets/capsules container
- Aseptic processing



Single-use powder bags are incredibly easy to integrate into any process using equipment with a sanitary connection.



FEATURES & BENEFITS

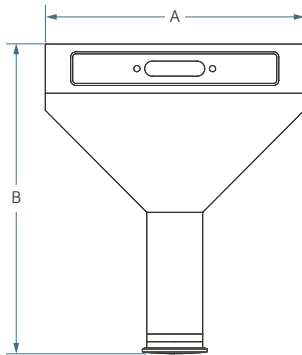
Single-use system	<p>Reduces cross contamination, maintaining product integrity</p> <p>Minimizes risks associated with handling powders and eliminates the need for cleaning and validation, saving time and expense compared to stainless steel systems</p>
Anti-static, monolayer, polyethylene-based film	<p>Enables maximum product recovery, 99.99% product discharge, reducing yield loss</p> <p>Single layer film ensures material compatibility in a variety of applications, enabling process versatility</p> <p>Eliminates the need for a liquid rinse, eliminating dangerous exposure risks</p> <p>Transparent material provides easy product inspection/identification</p>
Ergonomic, reinforced integrated handle	<p>Provides easy lifting</p> <p>Hoist compatibility allows easy handling for heavier applications, improving safety</p> <p>Optional flange handle for sanitary port provides easier individual or two-person handling for middle weight bags that do not require a hoist</p>
4" sanitary flange connection	<p>Larger opening ensures contained operations of large volume powder transfers, maintaining product integrity and assuring personnel safety</p> <p>Compatible with existing standard sanitary flange connection for easy integration to existing processes</p>

SPECIFICATIONS

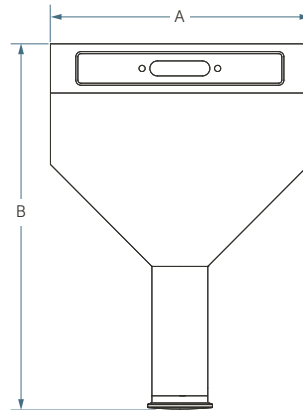
Sizes	5 L, 10 L, 15 L, 25 L, 50 L
Materials	Flex 125 – Anti-static, monolayer, polyethylene-based film
Connection	4" sanitary flange dispense port
Handling	<p>Integrated reinforced handle, hoist compatible</p> <p>Optional flange handle available for sanitary flange port</p>
Traceability	Units are individually labeled
Quality	<p>Manufactured in an ISO Class 7 cleanroom</p> <p>100% unit visual inspection</p> <p>Batch pressure testing per ISO 10648-2</p> <p>Validation guide available</p> <p>BSE/TSE free</p> <p>cGMP compliant</p>
Sterilization	Provided gamma irradiated as standard

DIMENSIONS

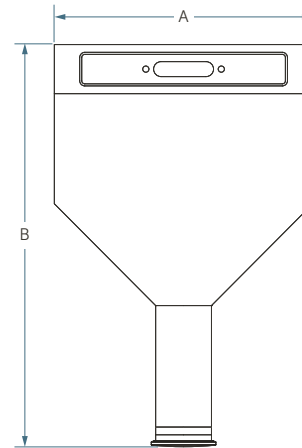
5 L



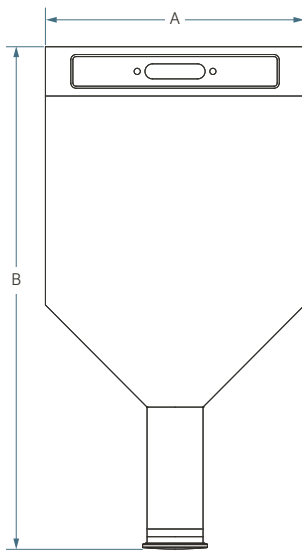
10 L



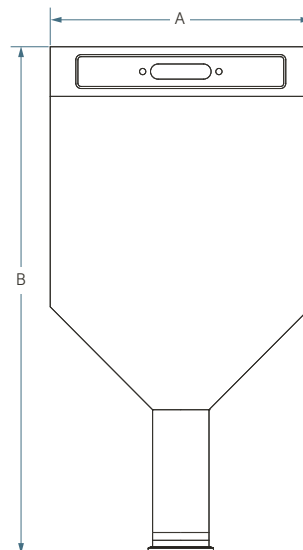
15 L



25 L



50 L



Dimension Table

Volume	A	B
5 Liter	500 mm (19.7")	595 mm (23.4")
10 Liter	500 mm (19.7")	700 mm (27.6")
15 Liter	500 mm (19.7")	775 mm (30.5")
25 Liter	500 mm (19.7")	965 mm (38.0")
50 Liter	600 mm (23.6")	1085 mm (42.7")

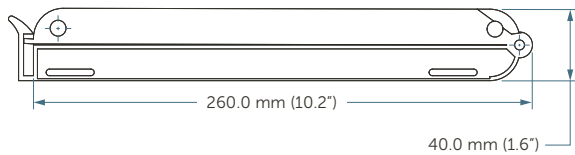
ORDERING INFORMATION

Part number (irradiated)	Part number (non-irradiated)	Volume	Minimum order quantity	Order increment
FSD04948.01	FSD04948.01U	5 L	5	5
FSD04949.01	FSD04949.01U	10 L	5	5
FSD04950.01	FSD04950.01U	15 L	5	5
FSD04951.01	FSD04951.01U	25 L	5	5
FSD04952.01	FSD04952.01U	50 L	5	5

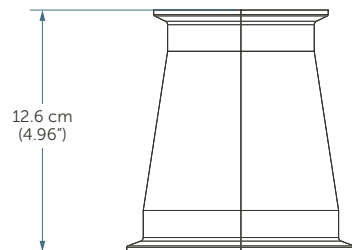
Custom bags are available upon request.
Contact Entegris with your requirements.

ACCESSORIES

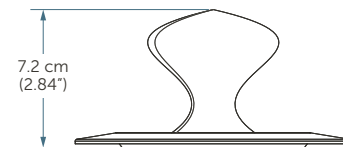
Clip



Concentric Reducer (4" to 3")



4" cap with Knob Handle



Part number	Description	Gamma irradiated*	Pack qty.	Minimum order quantity	Order increment
FXD05157.01	4" gasket, 4" cap, 4" tri-clamp	No	1 each item	1	1
FXD05153.01	Concentric reducer (4" to 3")	No	1	1	1
FXD05154.01	Powder bag clips	No	1	5	5
FXD05155.01	4" cap with built-in knob/handle for very heavy filled powder bags	No	5	1	1
FXD05279.01	4" sanitary flange and end cap	No	5	1	1
FXD05278.01	4" nylon triclamp	No	5	1	1

*Gamma irradiated components are available upon request. Please contact your Entegris account manager.

FOR MORE INFORMATION

Please call your Regional Customer Service Center today to learn what Entegris can do for you. Visit [entegris.com](https://www.entegris.com) and select the [Contact Us](#) link to find the customer service center nearest you.

TERMS AND CONDITIONS OF SALE

All purchases are subject to Entegris' Terms and Conditions of Sale. To view and print this information, visit [entegris.com](https://www.entegris.com) and select the [Terms & Conditions](#) link in the footer.



Corporate Headquarters

129 Concord Road
Billerica, MA 01821
USA

Customer Service

Tel +1 952 556 4181
Fax +1 952 556 8022
Toll Free 800 394 4083

Entegris®, the Entegris Rings Design®, and other product names are trademarks of Entegris, Inc. as listed on [entegris.com/trademarks](https://www.entegris.com/trademarks). All third-party product names, logos, and company names are trademarks or registered trademarks of their respective owners. Use of them does not imply any affiliation, sponsorship, or endorsement by the trademark owner.

©2023-2024 Entegris, Inc. | All rights reserved. | Printed in the USA | 3750-12434ENT-0324