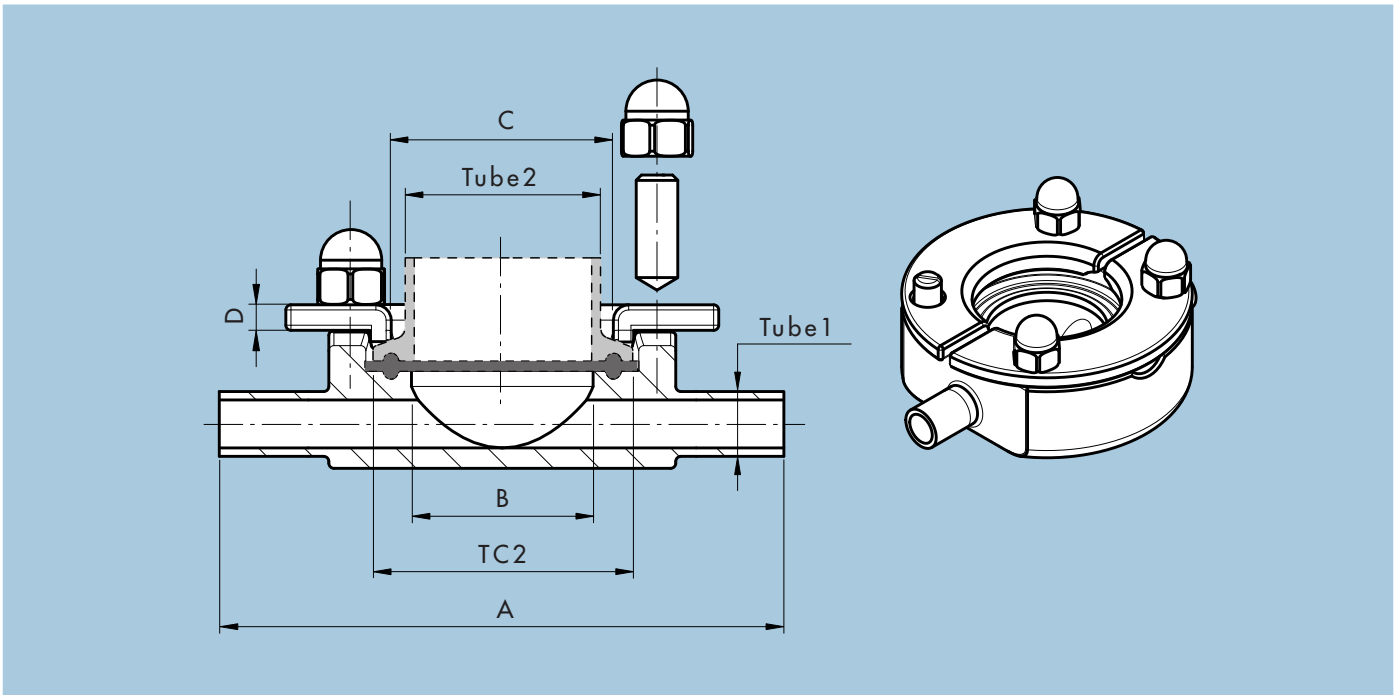


NovAseptic[®] Connector In-Line, Butt End According to Tube Standard ASTM[®] A269/270

Catalogue Number ANS5/###x###-311

In-Line, Butt End According to Tube Standard ASTM[®] A269/270 Configuration



Nominal Dimensions in mm (in.)

ANS5/###x###-311	Tube1 (ASTM [®])	Tube2 (SMS 3008)	TC2	A	B	C	D	Acorn Nut Size	Stud Size
ANS5/127x94-311	12.7x1.65 (0.5x0.065)	38.0x1.2 (1.496x0.047)	50.5	110.0 (4.331)	35.6 (1.402)	43.8 (1.724)	5.0 (0.197)	M8	M8x20
ANS5/191x158-311	19.1x1.65 (0.75x0.065)	38.0x1.2 (1.496x0.047)	50.5	110.0 (4.331)	35.6 (1.402)	43.8 (1.724)	5.0 (0.197)	M8	M8x20
ANS5/254x221-311	25.4x1.65 (1.0x0.065)	38.0x1.2 (1.496x0.047)	50.5	110.0 (4.331)	35.6 (1.402)	43.8 (1.724)	5.0 (0.197)	M8	M8x20
ANS5/381x348-311	38.1x1.65 (1.5x0.065)	38.0x1.2 (1.496x0.047)	50.5	110.0 (4.331)	35.6 (1.402)	43.8 (1.724)	5.0 (0.197)	M8	M8x20

Specifications

Net Weight (approximate)

Connector	ANS5/127x94-311	ANS5/191x158-311	ANS5/254x221-311	ANS5/381x348-311
Weight kg (lb)	1.1 (2.43)	1.3 (2.87)	1.5 (3.31)	1.7 (3.75)

Material

	Welding Flange Stainless Steel in Compliance with		Tubing Stainless Steel in Compliance with	
Material Code	316L	EN 1.4435	TP316L	EN 1.4435
Technical Requirements	ASME® SA-479	EN 10272	ASTM® A269/270	EN 10217-1/ EN 10216-5

Material

	Locking Ring Stainless Steel in Compliance with		Bolt and Nut Stainless Steel in Compliance with	
Material Code	316L	EN 1.4404	A193 Gr B8M/ A194 Gr B8M	EN 1.4401/ EN 1.4301
Technical Requirements	ASME® SA-479	EN 10272		EN 10269

Specifications

Surface Roughness:	Internal surface (manually polished) $Ra \leq 0.5\mu\text{m}$ (20 μin)
Design Temperature:	-80 to 200 °C (-112 to 392 °F)
Design Pressure:	-1 to 7 bar(g) (-14.5 to 101 psi(g))
Note!	The applied gasket (not included) may have different design temperature and/or pressure limits than the NovAseptic Connector. The weakest component in the assembled product determines the maximum design temperature and pressure limits.
Labeling:	Each NovAseptic Connector is labeled for full LOT traceability and heat No. according to Millipore QA routines.
Packaging:	All open ends on the NovAseptic Connector are protected with plastic covers on delivery. The NovAseptic Connector is pre-assembled and packaged in a closed box.
Quality Control:	Millipore Quality Assurance System guarantees the control and traceability at all stages of the manufacturing.
In Compliance With:	The NovAseptic Connector does comply for Europe with the relevant requirements in Annex I, Essential Safety Requirement in PED Directive 97/23/EC. The equipment has been examined with respect to the relevant parts for design examination procedure of conformity assessment as described under the category SEP (Sound Engineering Practice) Article 3 §3.
Options:	For non-standard NovAseptic Connector Options, please contact Millipore for further information.

To Place an Order or Receive Technical Assistance

For additional information call your nearest Millipore office or visit us at www.millipore.com.
 In the U.S. and Canada, call toll-free 1-800-MILLIPORE (1-800-645-5476). In the U.S., Canada and Puerto Rico, fax orders to 1-800-MILLIFX (1-800-645-5439).

MILLIPORE

Millipore and NovAseptic are registered trademarks of Millipore Corporation or an affiliated company.
 ASME is a registered trademark of the American Society of Mechanical Engineers.
 ASTM is a registered trademark of the American Society for Testing and Materials.
 Specifications subject to change without notice.
 Lit. No. SP1159EN00 Rev. -, 10/2006. Replaces DS-228
 © 2006 Millipore Corporation. All rights reserved.