



Connectors Connlock®

Reusable Hose Connections

Perfect connections:

Connlock® the suitable hose coupling for the Connectors STHT-R and STHT-W hoses
NEW! ALSO COMPATIBLE WITH THE ULTRA-COR PFA HOSE!

Connlock® is an absolutely high-quality, reusable hose connection, which was developed for highest requirements of the pharmaceutical and biochemical industry. Connlock® is available in the dimensions DN 6 up to DN 65 with welding ends, Tri-Clamp ends or other fittings. They are also available in sizes ranging from 1/4" up to 3". The tubing connectors are made entirely of 1.4435 BN2 material. The collet (compression unit) is made of autoclavable PVDF and allows to adjust different wall thicknesses of the silicone hoses without compromising security under pressure.

CONNLOCK®
unique flexibility!
The Re-Usable Hose
Connection for Silicone
& Ultra-Cor PFA
Hoses!!

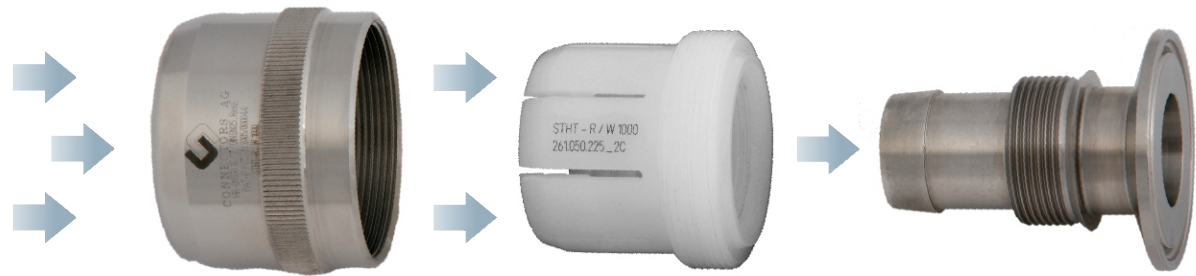


Why Connlock®?

Some advantages of the Connlock® hose coupling:

- Patented self-development of the company Connectors
- Hose coupling is effectively re-usable
- Tolerance reconciliation by flexible PVDF collet possible. Permits a use of different hose walls.
- PVDF collet is bolted with steel and prevents a thread blocking. A clear advantage opposite a screw connection with same steel components!
- PVDF collet works isolating. This characteristic is to be regarded with steam sterilizations as salient advantage in relation to other products.
- Can be installed without employment by auxiliary tools!
- Needs no lubricants!
- Whole coupling unit is in the closed or opened condition autoclavable.
- All Connlock® couplings can be supplied with material certificates.
- Lasermarking on all components!

Short assembly instruction* for Connlock® Hose Coupling



Screwing Nut

PVDF-Sleeve

Hose Barb with Tri-Clamp End

Step 1

Take apart the nut and push the hose through it. Push the nipple into the hose until it touches the edge of the PVDF sleeve. Do not use any lubricant!

Step 2

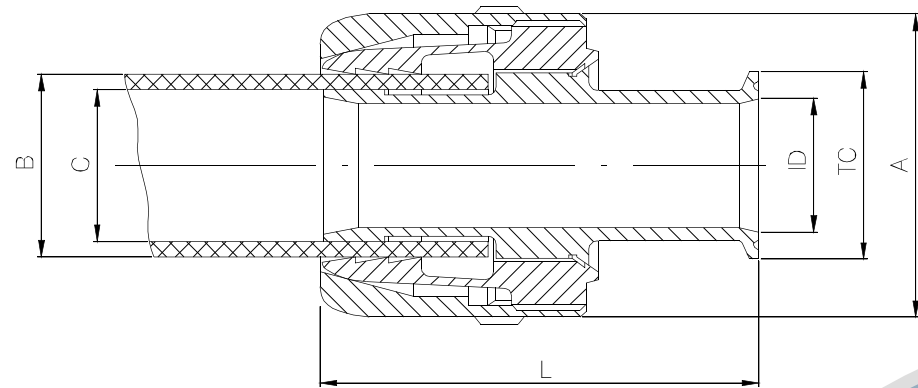
Screw the nut onto the PVDF-sleeve. Tighten the nut with your hands only to prevent the sleeve from being tightened too much. Do not use any tools to mount the nut!

Step 3

After having mounted the complete Tri-Clamp connection the nut can be tightened by hand once more. Do not tighten too much. Otherwise the sleeve may be damaged.

*Full assembly instruction for Connlock® hose coupling on request available.

Dimensions for Connlock® Hose Connection with Tri-Clamp Ends								
Type	A	B min./max.	C	TC	ID	L	Item-No.:	
acc. ISO 2852, *non standard								
MR-DN *6	28.0	12.2 - 13.2	6.4	25.0	6.0	50.0	261.025.106	
MR-DN *6	28.0	12.2 - 13.2	6.4	50.0	6.0	50.0	261.050.106	
MR-DN 8	32.1	15.0 - 16.0	9.5	25.0	10.3	52.0	261.025.108.375	
MR-DN 8	32.1	15.0 - 16.0	9.5	50.5	10.3	60.0	261.050.108.375	
MR-DN 8	38.2	16.4 - 18.0	9.5	25.0	10.3	52.0	261.025.108	
MR-DN 8	38.2	16.4 - 18.0	9.5	50.5	10.3	60.0	261.050.108	
MR-DN 10	38.2	19.5 - 21.8	12.7	25.0	14.0	55.0	261.025.110.500	
MR-DN 10	38.2	19.5 - 21.8	12.7	50.5	14.0	61.0	261.050.110	
MR-DN 15	50.0	27.2 - 29.0	19.1	50.5	18.1	64.0	261.050.115	
MR-DN 20	56.0	33.2 - 36.0	25.4	50.5	23.7	60.0	261.050.120	
MR-DN 25	67.0	39.5 - 42.0	31.8	50.5	29.7	62.0	261.050.125	
MR-DN 32	74.0	46.0 - 48.1	38.1	64.0	38.4	64.0	261.064.132	
MR-DN 40	92.0	59.0 - 62.0	50.8	64.0	44.3	95.0	261.064.140	
MR-DN 50	120.0	71.0 - 74.0	63.5	77.5	56.3	100.0	261.077.150	
MR-DN 65	143.0	85.0 - 88.0	76.2	91.0	72.1	141.6	261.091.165	
acc. BS 4825, *non standard								
MR-DN *1/4"	28.0	12.2 - 13.2	6.4	25.0	4.6	51.0	261.025.204	
MR-DN *3/8"	32.1	15.0 - 16.0	9.5	25.0	7.75	52.0	261.025.009	
MR-DN *1/2"	38.2	19.5 - 21.8	12.7	25.0	9.4	55.0	261.025.212.500	
MR-DN 5/8"	45.0	24.0 - 25.0	15.9	25.0	15.8	60.0	261.025.258	
MR-DN *5/8"	45.0	24.0 - 25.0	15.9	50.5	15.8	60.0	261.050.258	
MR-DN 3/4"	50.0	27.2 - 29.0	19.1	25.0	15.8	64.0	261.025.219	
MR-DN 1"	56.0	33.2 - 36.0	25.4	50.5	22.1	60.0	261.050.225	
MR-DN 1 1/2"	74.0	46.0 - 48.1	38.1	50.5	34.8	64.0	261.050.238	
MR-DN 2"	92.0	59.0 - 62.0	50.8	64.0	47.5	95.0	261.064.247	
MR-DN 2 1/2"	120.0	71.0 - 74.0	63.5	77.5	60.2	100.0	261.077.603	
MR-DN 3"	143.0	85.0 - 88.0	76.2	91.0	72.9	141.6	261.091.162	



Remark:

With the use of customized hoses there is following to consider:
Pressure ratings are based on the resistance of the hoses.

Indications and selection lists for Ultra-Cor PFA hoses
You will find in our brochure:

"Ultra-Cor - Smoothbore PFA Hoses"

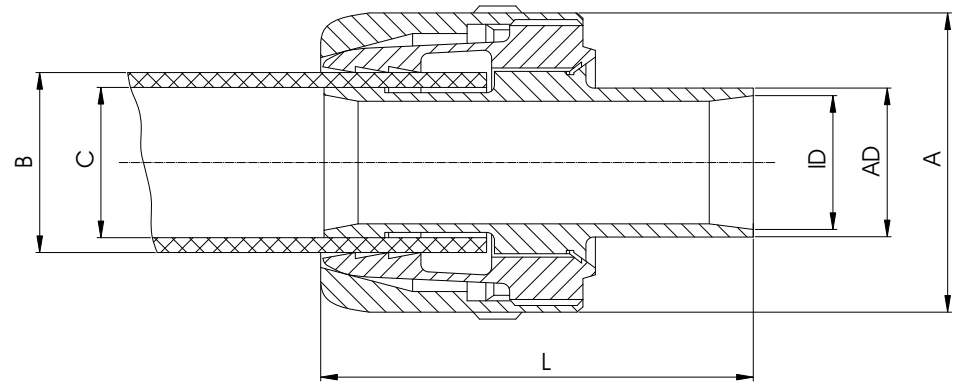
Dimensions according to DIN and special and/or customized connections are available on request.

Connlock® with 11864 Connection

Now available:
Connlock® with connections
acc. 11864-1, 11864-2
and 11864-3.



Dimensions for Connlock® Hose Connection with Butt-Weld Ends							
Type	A	B min./max.	C	AD	ID	L	Item-No.:
acc. ISO 1127, *non standard							
MR-DN *6	28.0	12.2 - 13.2	6.4	8.0	6.0	45.0	261.100.006
MR-DN 8	32.1	15.0 - 16.0	9.5	13.5	10.3	61.0	261.100.008.375
MR-DN 8	38.2	16.4 - 18.0	9.5	13.5	10.3	61.0	261.100.008
MR-DN 10	38.2	19.5 - 21.8	12.7	17.2	14.0	60.0	261.100.010
MR-DN 15	50.0	27.2 - 29.0	19.1	21.3	18.1	64.0	261.100.015
MR-DN 20	56.0	33.2 - 36.0	25.4	26.9	23.7	64.0	261.100.020
MR-DN 25	67.0	39.5 - 42.0	31.8	33.7	29.7	68.0	261.100.025
MR-DN 32	74.0	46.0 - 48.1	38.1	42.4	38.4	68.0	261.100.032
MR-DN 40	92.0	59.0 - 62.0	50.8	48.3	44.3	95.0	261.100.040
MR-DN 50	120.0	71.0 - 74.0	63.5	60.3	56.3	100.0	261.100.050
MR-DN 65	144.0	85.0 - 88.0	76.2	76.1	72.1	120.0	261.100.076
acc. BS 4825 / OD-tubing							
MR-DN *1/4"	28.0	12.2 - 13.2	6.4	8.0	6.0	45.0	261.100.006
MR-DN 3/8"	32.1	15.0 - 16.0	9.5	9.5	7.75	60.0	261.100.009
MR-DN 1/2"	38.2	19.5 - 21.8	12.7	12.7	9.4	60.0	261.100.012
MR-DN 3/4"	50.0	27.2 - 29.0	19.1	19.1	15.8	61.0	261.100.019
MR-DN 1"	56.0	33.2 - 36.0	25.4	25.4	22.1	64.0	261.100.026
MR-DN 1 1/2"	74.0	46.0 - 48.1	38.1	38.1	34.8	65.0	261.100.038
MR-DN 2"	92.0	59.0 - 62.0	50.8	50.8	47.5	95.0	261.100.051
MR-DN 2 1/2"	120.0	71.0 - 74.0	63.5	63.5	60.2	100.0	261.100.063
MR-DN 3"	143.0	85.0 - 88.0	76.2	76.2	72.9	120.0	261.100.762



Remark:

With the use of customized hoses there is following to consider:
Pressure ratings are based on the resistance of the hoses.

Indications and selection lists for Ultra-Cor PFA hoses You will find in our brochure:
"Ultra-Cor - Smoothbore PFA Hoses"

Dimensions according to DIN and special and/or customized connections are available on request.

Selection list Connlock® Hose Connection / Hose Type with Tri-Clamp Ends						
Connlock Type	TC-Size	Item-No. Connlock	Standard Pipe Connection	Hose Type		Hose ID in mm
MR-DN	*6	261.025.106	non standard	STHT-R 250		6.4
MR-DN	*6	261.050.106	non standard	STHT-R 250		6.4
MR-DN	8	261.025.108.375	acc. ISO 2852	STHT-R 375		9.5
MR-DN	8	261.050.108.375	acc. ISO 2852	STHT-R 375		9.5
MR-DN	8	261.025.108	acc. ISO 2852	STHT-R 375HW		9.5
MR-DN	8	261.050.108	acc. ISO 2852	STHT-R 375HW		9.5
MR-DN	10	261.025.110.500	acc. ISO 2852	STHT-R 500	STHT-W 500	12.7
MR-DN	10	261.050.110	acc. ISO 2852	STHT-R 500	STHT-W 500	12.7
MR-DN	15	261.050.115	acc. ISO 2852	STHT-R 750	STHT-W 750	19.1
MR-DN	20	261.050.120	acc. ISO 2852	STHT-R 1000	STHT-W 1000	25.4
MR-DN	25	261.050.125	acc. ISO 2852	STHT-R 1250	STHT-W 1250	31.8
MR-DN	32	261.064.132	acc. ISO 2852		STHT-W 1500	38.1
MR-DN	40	261.064.140	acc. ISO 2852		STHT-W 2000	50.8
MR-DN	50	261.077.150	acc. ISO 2852		STHT-W 2500	63.5
MR-DN	65	261.091.165	acc. ISO 2852		STHT-W 3000	76.2
MR-DN	1/4"	261.025.204	acc. BS 4825 / OD	STHT-R 250		6.4
MR-DN	3/8"	261.025.009	acc. BS 4825 / OD	STHT-R 375		9.5
MR-DN	1/2"	261.025.212.500	acc. BS 4825 / OD	STHT-R 500	STHT-W 500	12.7
MR-DN	5/8"	261.025.258	acc. BS 4825 / OD	STHT-R 625		15.9
MR-DN	5/8"	261.050.258	acc. BS 4825 / OD	STHT-R 625		15.9
MR-DN	3/4"	261.025.219	acc. BS 4825 / OD	STHT-R 750	STHT-W 750	19.1
MR-DN	1"	261.050.225	acc. BS 4825 / OD	STHT-R 1000	STHT-W 1000	25.4
MR-DN	1 1/2"	261.050.238	acc. BS 4825 / OD		STHT-W 1500	38.1
MR-DN	2"	261.064.247	acc. BS 4825 / OD		STHT-W 2000	50.8
MR-DN	2 1/2"	261.077.603	acc. BS 4825 / OD		STHT-W 2500	63.5
MR-DN	3"	261.091.762	acc. BS 4825 / OD		STHT-W 3000	76.2

Selection list Connlock® Hose Connection / Hose Type with Butt-Weld Ends						
Connlock Type	Item-No. Connlock	Standard Pipe Connection	Hose Type		Hose ID in mm	
MR-DN	*6	261.100.006	non standard	STHT-R 250	6.4	
MR-DN	8	261.100.008.375	acc. ISO 1127	STHT-R 375	9.5	
MR-DN	8	261.100.008	acc. ISO 1127	STHT-R 375HW	9.5	
MR-DN	10	261.100.010	acc. ISO 1127	STHT-R 500	STHT-W 500	12.7
MR-DN	15	261.100.015	acc. ISO 1127	STHT-R 750	STHT-W 750	19.1
MR-DN	20	261.100.020	acc. ISO 1127	STHT-R 1000	STHT-W 1000	25.4
MR-DN	25	261.100.025	acc. ISO 1127	STHT-R 1250	STHT-W 1250	31.8
MR-DN	32	261.100.032	acc. ISO 1127		STHT-W 1500	38.1
MR-DN	40	261.100.040	acc. ISO 1127		STHT-W 2000	50.8
MR-DN	50	261.100.050	acc. ISO 1127		STHT-W 2500	63.5
MR-DN	65	261.100.076	acc. ISO 1127		STHT-W 3000	76.2
MR-DN	1/4"	261.100.006	acc. BS 4825 / OD	STHT-R 250	6.4	
MR-DN	3/8"	261.100.009	acc. BS 4825 / OD	STHT-R 375	9.5	
MR-DN	1/2"	261.100.012	acc. BS 4825 / OD	STHT-R 500	STHT-W 500	12.7
MR-DN	3/4"	261.100.019	acc. BS 4825 / OD	STHT-R 750	STHT-W 750	19.1
MR-DN	1"	261.100.026	acc. BS 4825 / OD	STHT-R 1000	STHT-W 1000	25.4
MR-DN	1 1/2"	261.100.038	acc. BS 4825 / OD		STHT-W 1500	38.1
MR-DN	2"	261.100.051	acc. BS 4825 / OD		STHT-W 2000	50.8
MR-DN	2 1/2"	261.100.063	acc. BS 4825 / OD		STHT-W 2500	63.5
MR-DN	3"	261.100.762	acc. BS 4825 / OD		STHT-W 3000	76.2



Headquarter Switzerland:

Connectors Verbindungstechnik AG
Ringstrasse 24, CH-8317 Tagelswangen
Tel. +41(0)52 354 20 70, Fax. +41(0)52 354 20 80
Email: info@connectors.ch

Connectors Partnership

You have received this company overview from a official partner of Connectors. We put many effort into creating a great net of providers and distributors to get closer to our customers.

Office Austria:

Handelsagentur Thomas Neffe
Krottenbachstrasse 1 - Top 15, A-1190 Wien
Tel. +43/1/328 00 93, Fax. +43/1/328 10 94
Email: tneffe@connectors.ch

Office Germany:

Handelsagentur Harald Wagner
Brachter Strasse 30, D-47839 Krefeld
Tel. +49/2151 654 50 32, Fax. +49/2151 654 50 33
Email: hwagner@connectors.ch

Your Connectors Partner: